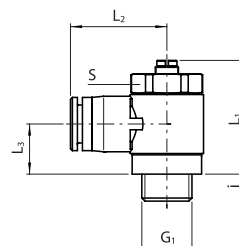
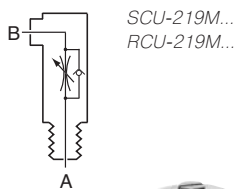


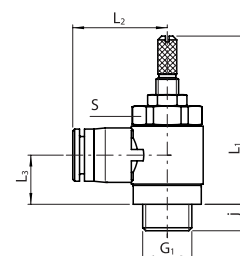
## Function Fittings



# Function Fittings



SCU...



RCU...

**SCU.../RCU**  
**Exhaust-Air flow control**  
**(one-directional, cylinder-side)**

SCU operated with a screw-driver  
RCU operated manually

Material valve: brass, nickel plated  
Material fitting: POM  
Pressure range: 0,2 ... 10 bar  
Temperature range: -10°C ...+80°C

Other versions to be ordered in same dimensions:

**SUC /RUC** one-directional, valve-side  
**SCO/RCO** bi-directional

*Other versions especially other hose connection (push-on, screw-in) are available on request.*

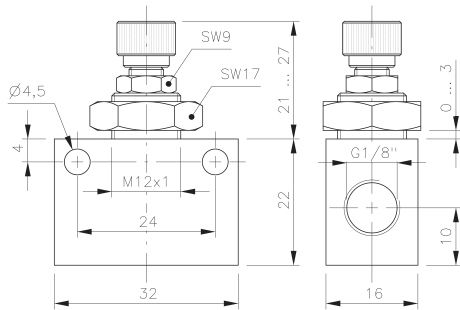
Type	Orifice	Air flow	Port size	Hose-Ø	i	L1max	L2	L3	S
SCU-219M-M5N-4P	1,5	0 - 70 l/min	M 5	4	4	21,5	17,5	7,5	8
SCU-219M-M5N-6P	1,5	0 - 70 l/min	M 5	6	4	21,5	18,5	7,5	8
SCU-219M-1/8N-4P	2,5	0 - 280 l/min	G 1/8"	4	5	30	22	12	14
SCU-219M-1/8N-6P	2,5	0 - 280 l/min	G 1/8"	6	5	30	22,5	12	14
SCU-219M-1/8N-8P	2,5	0 - 280 l/min	G 1/8"	8	5	30	23	12	14
SCU-219M-1/4N-6P	4,5	0 - 400 l/min	G 1/4"	6	6,5	32	24,5	13	17
SCU-219M-1/4N-8P	4,5	0 - 400 l/min	G 1/4"	8	6,5	32	25	13	17
SCU-219M-3/8N-10P-A	6,5	0 - 1000 l/min	G 3/8"	10	8,5	34	30,5		20
SCU-219M-3/8N-12P-A	6,5	0 - 1000 l/min	G 3/8"	12	8,5	34	32,5		20
SCU-219M-1/2N-12P-A	7	0 - 1250 l/min	G 1/2"	12	10	37	35		24
RCU-219M-M5-4P-A	1,5	0 - 70 l/min	M 5	4	5,5	37,5	19,5		8
RCU-219M-M5-6P-A	1,5	0 - 70 l/min	M 5	6	5,5	37,5	21		8
RCU-219M-1/8N-4P	2,5	0 - 280 l/min	G 1/8"	4	5	44	22	12	14
RCU-219M-1/8N-6P	2,5	0 - 280 l/min	G 1/8"	6	5	44	22,5	12	14
RCU-219M-1/8N-8P	2,5	0 - 280 l/min	G 1/8"	8	5	44	23	12	14
RCU-219M-1/4N-6P	4,5	0 - 400 l/min	G 1/4"	6	6,5	47	24,5	13	17
RCU-219M-1/4N-8P	4,5	0 - 400 l/min	G 1/4"	8	6,5	47	25	13	17
RCU-219M-3/8N-10P-A	6,5	0 - 1000 l/min	G 3/8"	10	8,5	56,5	30,5		20
RCU-219M-3/8N-12P-A	6,5	0 - 1000 l/min	G 3/8"	12	8,5	56,5	32,5		20
RCU-219M-1/2N-12P-A	7	0 - 1250 l/min	G 1/2"	12	10	59	35		24



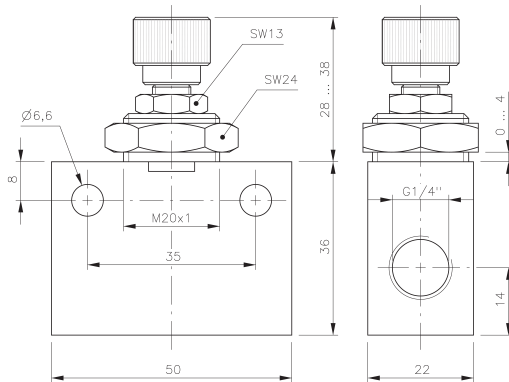
# Function Fittings

4.7.2

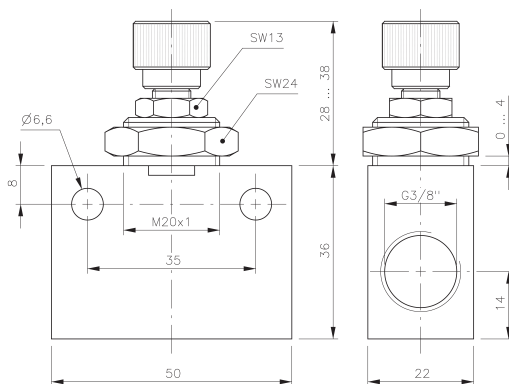
page 41



DR 501/D 501



DR 801/D 801



DR 101/D 101



Block form flow regulator.

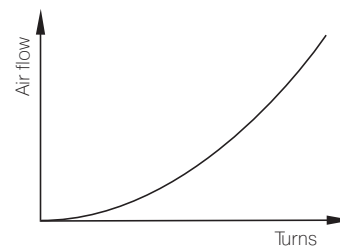
**Type DR:** uni-directional block form flow regulator. Air streaming in the direction of the throttle can be regulated by turning the spindle. In the opposite direction air streams unthrottled.

**Type D:** bi-directional flow regulator. Air is regulated in both directions.

The throttle can be adjusted very precisely along the entire regulation range.

Adjustment can be locked.

Suitable for wall and panel mounting.  
Nut is included.

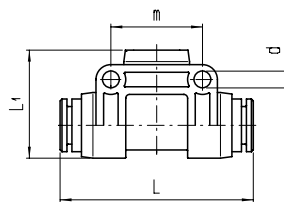


Model	Port size	Air flow	Airflow in opposite direction	Operating press.	Weight
D_501	G 1/8"	450 l/min	450 l/min	0,5 - 10 bar	0,04 kg
D_801	G 1/4"	1150 l/min	1150 l/min	0,5 - 10 bar	0,13 kg
D_101	G 3/8"	1450 l/min	1450 l/min	0,5 - 10 bar	0,13 kg

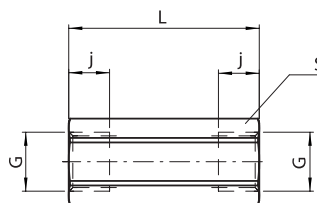
# Function Fittings



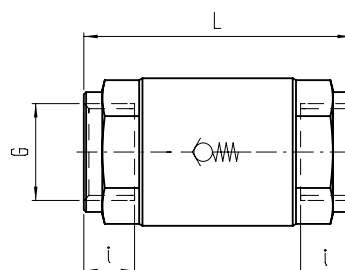
VNR-958...  
VNR-133...  
VSR-333...



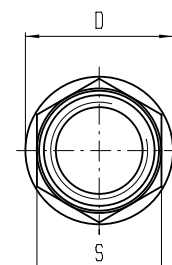
VNR-958...



VNR-133...



VSR-333...



**VNR 958** \_\_\_  
**Non-return valve**  
**popped check valve**

Material valve: POM  
Pressure range: 0,2 ... 10 bar  
Temperature range: -10°C ... +60°C  
Use: Compressed air only

**VNR-133** \_\_\_  
**Non-return valve**  
**ball check valve**

Material valve: brass, nickel plated  
Pressure range: 0,2 ... 16 bar  
Temperature range: -10°C ... +90°C  
Use: Neutral medium

**VSR-333** \_\_\_  
**Non-return valve**  
**popped check valve**

Material valve: brass, nickel plated  
Pressure range: 0,2 ... 16 bar  
Temperature range: -10°C ... +90°C  
Use: Neutral medium

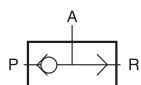
Type	Orifice	Air flow	Hose-Ø	Port-size	i	L	L1	H	m	d	S/D
VNR-958 P45-4	4,5	max. 330 l/min	4			49	28,5	17	24	4	
VNR-958 P45-6	4,5	max. 330 l/min	6			50	28,5	17	24	4	
VNR-958 P45-8	4,5	max. 330 l/min	8			50,5	28,5	17	24	4	
VNR-133-M40-1/8B	4	Kv. 0,5 m3/h		G 1/8"	8	35					13
VNR-133-M60-1/4B	6	Kv. 0,9 m3/h		G 1/4"	9	44					17
VSR-333-3/8	10			G 3/8"	11	50					19
VSR-333-1/2	15			G 1/2"	13	55					23
VSR-333-3/4	20			G 3/4"	14	62					29
VSR-333-1	25			G 1"	17	72					35



# Function Fittings

4.7.4

page 43



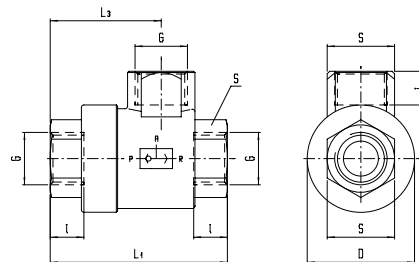
SEA...

## SEA \_\_\_ Quick exhaust valve



Material valve: brass, nickel plated, NBR  
 Pressure range: 0,3 ... 10 bar  
 Temperature range: -18°C ... +70°C  
 Use: Compressed air only

On request: Block-form flow regulators made from aluminium, port size G1/8", G1/4", G1/2".



SEA...

Type	Air flow	Port size	L1	S	D
SEA-M5-A	110 l/min	M 5	25	17	24
SEA-G1/8-A	680 l/min	G 1/8"	42	15	29
SEA-G1/4-A	1200 l/min	G 1/4"	54	19	34
SEA-G3/8-A	2300 l/min	G 3/8"	60,5	22	40
SEA-G1/2-A	3500 l/min	G 1/2"	72	26	45
SEA-G3/4-A	4000 l/min	G 3/4"	88	32	50

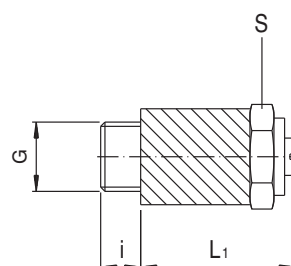


SSC-219M...  
SVE...

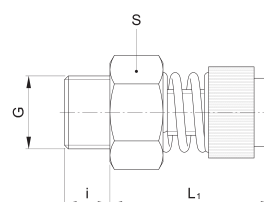
## SSC \_\_\_ SVE \_\_\_ Flow control silencer



Material valve: brass,  
 Material silencer: sintered bronze  
 Pressure range: 0 ... 12 bar  
 Temperature range: -10°C ... +80°C  
 Use: Compressed air only



SSC...



SVE...

Type	Orifice	Air flow	Port size	i	L1	S
SSC-219M-1/8	2,5	max.320 l/min	G 1/8"	5	30	14
SSC-219M-1/4	4,5	max.650 l/min	G 1/4"	7,5	31	17
SVE-1/8-C			G 1/8"	6	22	
SVE-1/4-C			G 1/4"	8	24	
SVE-3/8-C			G 3/8"	10	28	
SVE-1/2-C			G 1/2"	11	29	
SVE-3/8-C			G 3/8"	12	37	

